

Morrison Virus & Bacteria Eliminator



Morrison
Sustainable Energy



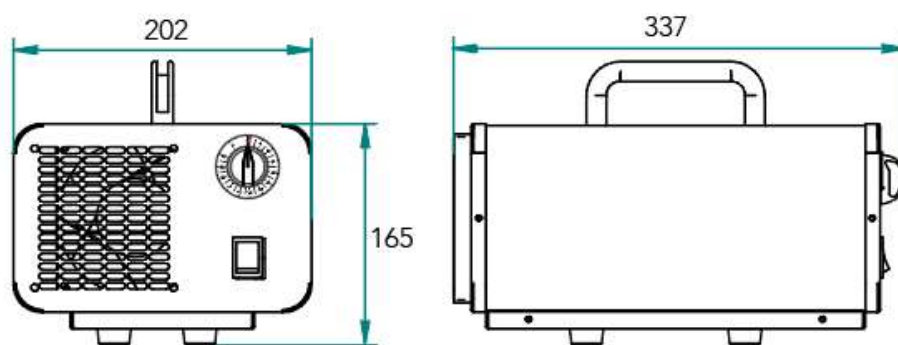
Applications:

- Vehicle disinfection: cars, trucks, caravans
- Commercial areas: gyms, hotels, clothing stores, hotels, restaurants
- Sanitation of rooms, bathrooms and offices
- Neutralization of odours in confined places

4. Technical Data

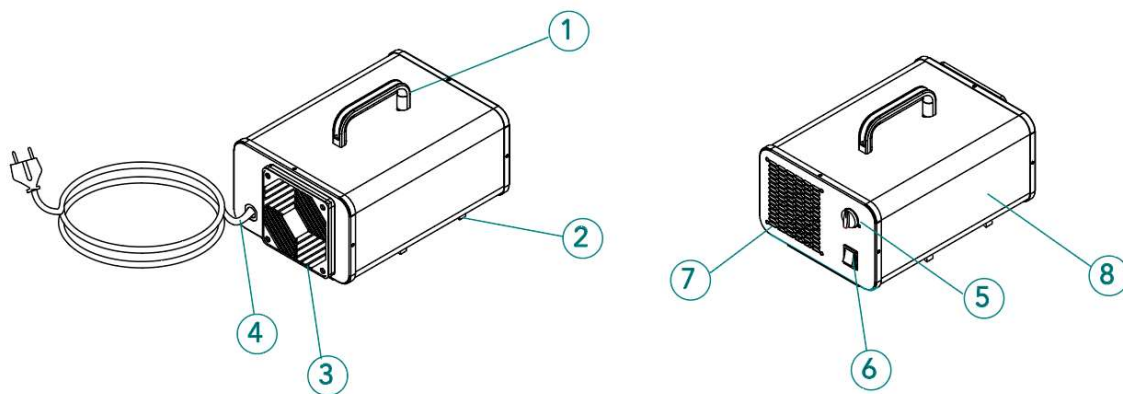
Model	O3C-24
O₃ Production	24g/h
Power consumed	110 W
Type of generator	Type A
Power supply	220-240 V/ 50Hz
Timer	60 min
Disinfection capacity*	350 m ³ /h
Working humidity	35-80 %
Weight	4 kg

Dimensions of the unit (mm):



5. Identification of Equipment Parts

The equipment consists of the following parts:

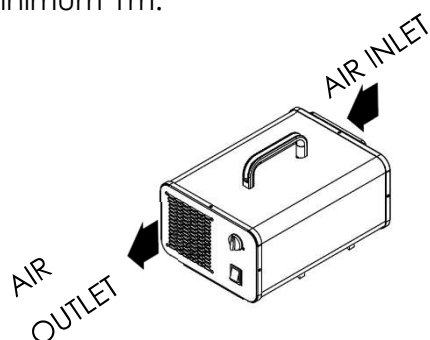


- 1 Carrying handle
- 2 Legs
- 3 Protective grille and fan
- 4 Electric hose. Schuko connection
- 5 Regulation knob
- 6 On-off switch
- 7 Protection grille and air outlet
- 8 Ozone generator

6. Installation and Operating

6.1. Placement

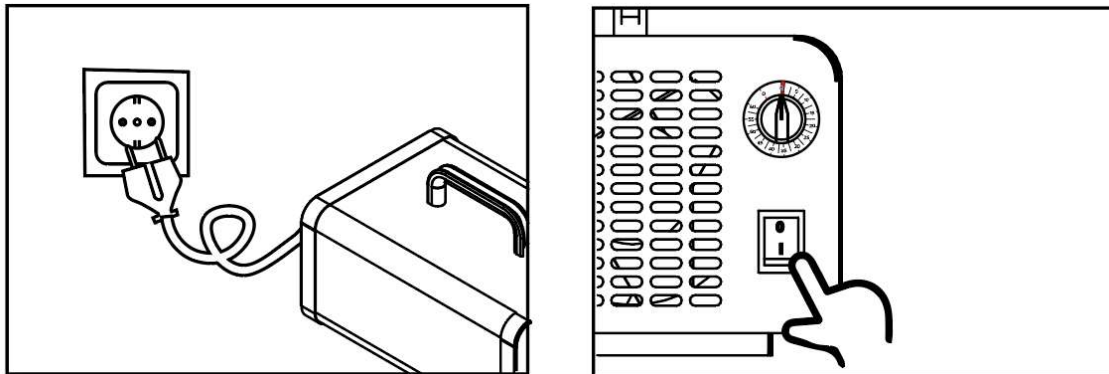
The equipment must be installed in an accessible place, close to the electrical supply and that allows the air to be evenly distributed to all areas. Due to ozone is heavier than air, install at a height of minimum 1m.



- Make sure that the humidity in the room is less than 80%.
- Do not install in places or areas where flammable or chemical products are handled.

6.2 Connection to mains supply and power button.

Once located, plug the equipment into the mains (230V/1ph/50Hz) and press the switch in position 1. Electrical network (230V/1ph/50Hz) and press the switch in position 1.



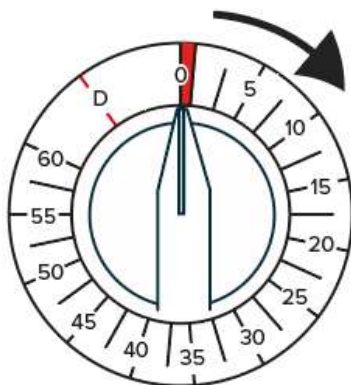
Do not manipulate the equipment internally or insert objects, as there is a risk of electric shock.

6.2. Time scheduling

First, use the facemask and personal protective equipment during the commissioning and shutdown.

The equipment has two start-up modes:

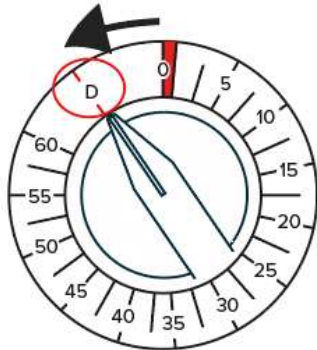
- **Time scheduling:** Turn the wheel clockwise until you select the minutes you need for disinfection.



Once programmed to leave the room and make sure that there are no people inside.

- **Direct:** There is no time regulation.

It is activated by turning the control knob counter-clockwise in the position marked with the letter **D**.



Warning: This use is only reserved for professionals who have personal protective equipment and certify that the performance of the equipment is carried out safely.



Once programmed to leave the room and make sure that there are no people inside.

Approximate usage times

In the following table you can see a usage reference:

Car	5 min
Truck	10 min
Room of 50 m³	9 min
Room of 120 m³	60 min



Warning: The time reference is indicative and may vary by specific characteristics of the place. (temperature, configuration...)

6.3. Precautions when entering the room and turning off the equipment

Once the disinfection cycle is finished, the user must wait at least 20 minutes or twice the programmed time to re-enter the room (the most unfavourable)

Ventilate again to remove any accumulated ozone concentration.

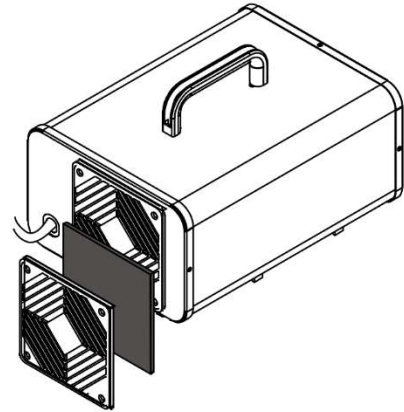
Turn off the equipment with the switch in position 0 and unplug the power supply.

7. Maintenance

It is essential to keep the air intake of the equipment clean. The generator includes a filter, so it is recommended to check the dirt present and when the filter is dirty replace it.

To do this, follow the instructions:

1. **The equipment must be unplugged from the power supply**
2. Remove the front cover by clicking or unscrew
3. Change the filter
4. Tighten until the grid snaps into place



8. Warranty Conditions

1°-. PERIOD: The guarantee associated with this equipment is for a period of two years (2 YEARS) starting from the time of its installation or, failing that, starting from the date of departure from EVOTECH SRL.

2°-. COVERAGE: This guarantee is covered in all countries.

3°-. DETAIL: The equipment warranty exclusively covers manufacturing defects of the product included within the period of the first section, excluding personal or physical damage derived directly or indirectly from the product in question.


5°-. WARRANTY INVALIDITY: The guarantee will be considered INVALID and therefore outside of any right of application if the equipment was manipulated totally or partially by personnel other than our own technical maintenance team or personnel authorized by EVOTECH SRL. This guarantee only covers manufacturing defects specific to EVOTECH SRL, never operating defects caused by the electrical supply, manipulation by the buyer, its staff or third parties, various deteriorations caused by shocks or falls during the manipulation of the product after its departure from the factory, breakdowns caused by adverse or climatological phenomena of whatever nature, floods or any other type of force majeure unrelated to the consideration to which the warranty refers.




9. Safety sheet

OZONE	ICSC: 0068 Abril 2009
CAS: 10028-15-6	
CE: 233-069-2	

	ACUTE HAZARDS	PREVENTION	FIRE FIGHTING
FIRE & EXPLOSION	Not combustible but enhances combustion of other substances. Many reactions may cause fire or explosion. Risk of fire and explosion on contact with combustible substances.	NO open flames, NO sparks and NO smoking. NO contact with combustible substances. Closed system, ventilation, explosion-proof electrical equipment and lighting.	In case of fire in the surroundings, use appropriate extinguishing media. Combat fire from a sheltered position.

STRICT HYGIENE!			
	SYMPTOMS	PREVENTION	FIRST AID
Inhalation	Sore throat. Cough. Headache. Shortness of breath. Laboured breathing.	Use ventilation, local exhaust or breathing protection.	Fresh air, rest. Half-upright position. Refer for medical attention.
Skin	ON CONTACT WITH LIQUID: FROSTBITE.	Cold-insulating gloves.	ON FROSTBITE: rinse with plenty of water, do NOT remove clothes. Refer for medical attention
Eyes	Redness. Pain.	Wear face shield or eye protection in combination with breathing protection.	First rinse with plenty of water for several minutes (remove contact lenses if easily possible), then refer for medical attention.
Ingestion			

SPILLAGE DISPOSAL	CLASSIFICATION & LABELLING
Evacuate danger area! Consult an expert! Personal protection: chemical protection suit including self-contained breathing apparatus. Ventilation.	<p style="text-align: center;">According to UN GHS Criteria</p> <div style="text-align: center;">  </div> <p>DANGER May cause or intensify fire; oxidizer Fatal if inhaled Causes eye irritation Causes damage to lungs if inhaled Causes damage to the lungs through prolonged or repeated exposure if inhaled Transportation UN Classification</p>
STORAGE	
Fireproof if in building. Separated from all substances. Cool.	
PACKAGING	

 <small>Organización Internacional del Trabajo</small>	 <small>Organización Mundial de la Salud</small>	Prepared by an international group of experts on behalf of ILO and WHO, with the financial assistance of the European Commission. © ILO and WHO 2017	 <small>European Commission</small>
--	--	---	---

OZONE		ICSC: 006
PHYSICAL & CHEMICAL INFORMATION		
<p>Physical State; Appearance COLOURLESS OR BLUISH GAS WITH CHARACTERISTIC ODOUR.</p> <p>Physical dangers The gas is heavier than air.</p> <p>Chemical dangers The substance is irritating to the eyes and respiratory tract. The substance may cause effects on the central nervous system. This may result in impaired vigilance and performance. Inhalation of the gas may cause lung oedema. See Notes. The effects may be delayed. The liquid may cause frostbite.</p>	<p>Formula: O₃</p> <p>Molecular mass: 48.0</p> <p>Boiling point: -112°C</p> <p>Melting point: -193°C</p> <p>Solubility in water: none</p> <p>Relative vapour density (air = 1): 1.6</p>	
OCCUPATIONAL EXPOSURE LIMITS		
<p>Routes of exposure</p> <p>The substance can be absorbed into the body by inhalation.</p> <p>Effects of short-term exposure</p> <p>The substance is irritating to the eyes and respiratory tract. The substance may cause effects on the central nervous system. This may result in impaired vigilance and performance. Inhalation of the gas may cause lung oedema. See Notes. The effects may be delayed. The liquid may cause frostbite.</p>	<p>Inhalation risk</p> <p>A harmful concentration of this gas in the air will be reached very quickly on loss of containment.</p> <p>Effects of long-term or repeated exposure</p> <p>Repeated or prolonged inhalation of the gas may cause effects on the lungs.</p>	
OCCUPATIONAL EXPOSURE LIMITS		
<p>TLV: (light work): 0.1 ppm as TWA; (moderate work): 0.08 ppm as TWA; (heavy work): 0.05 ppm as TWA. TLV: (less than 2 hours work): 0.2 ppm as TWA. TLV: A4 (not classifiable as a human carcinogen). MAK: carcinogen category: 3B</p>		
ENVIRONMENT		
<p>This substance may be hazardous to the environment. Special attention should be given to plants.</p>		
NOTES		
<p>The symptoms of lung oedema often do not become manifest until a few hours have passed and they are aggravated by physical effort. Rest and medical observation are therefore essential. Immediate administration of an appropriate inhalation therapy by a doctor, or by an authorized person, should be considered.</p>		
ADDITIONAL INFORMATION		