

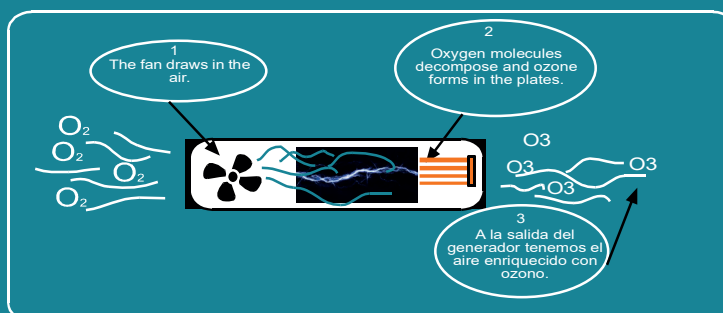


# GENERATOR

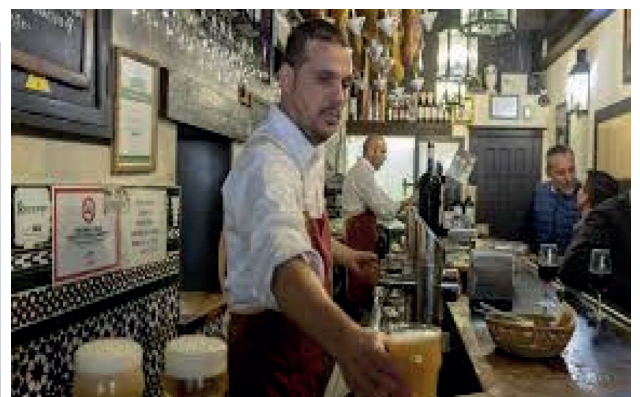
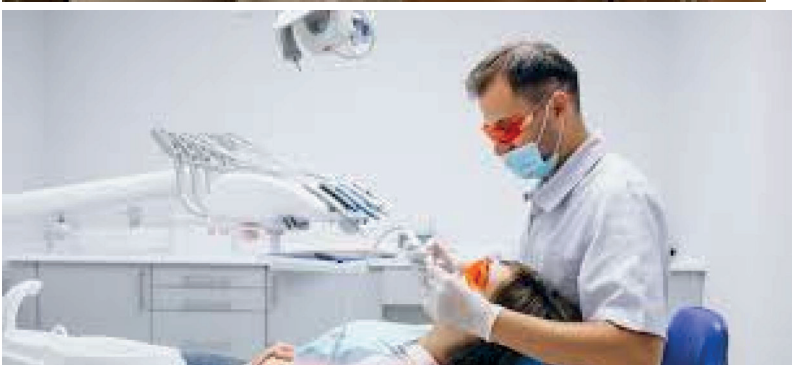
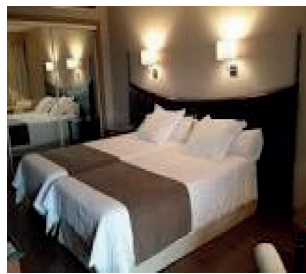
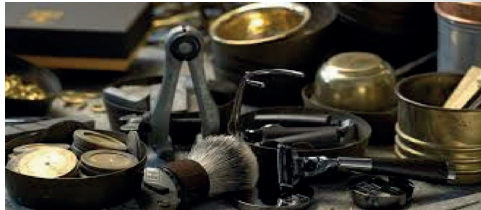
# OF

# OZONO

Portable disinfectant, for the elimination of mites, viruses, bacteria, odors and insect elimination.



# How it works



The air around us is made up of approximately 20.9% oxygen. The ozone generator 3 uses the presence of oxygen in the air to produce ozone. The fan sucks the air and transports it to the plates (corona system) oxygen receives continuous electric shocks (without sparks), which divides the oxygen atoms into a single atom, which in turn joins with two other free oxygen atoms, forming ozone. Being a very unstable molecule, it is a strong oxidant (2000 times higher than chlorine), it completely disinfects the environment against bacteria, viruses, mites, molds, odors, etc.

THE OZONE HAS BEEN RECOGNIZED BY THE MINISTRY OF HEALTH (PROTOCOL N. 24482 OF JULY 31, 1996) NATURAL PROTECTION FOR THE STERILIZATION OF ENVIRONMENTS ENVIRONMENTED BY BACTERIA, VIRUSES, SPORTS ETC. AND INFESCED WITH MYTHS, INSECTS, ETC.



## Benefits

# Ozono<sub>3</sub>



Absence of residues.

The generator does not release waste, the ozone after about 20 minutes, breaks down and becomes oxygen again, a completely natural process.



Sanitization

Eliminate bacteria, viruses, mites, fungi, molds ...  
Ozone is an unstable molecule that tends to oxidize the molecules of these organic compounds by destabilizing them.



Deodorant

Ozone is a very unstable element, it oxidizes the organic components eliminating them, thus destroying the odors present in the treated area.



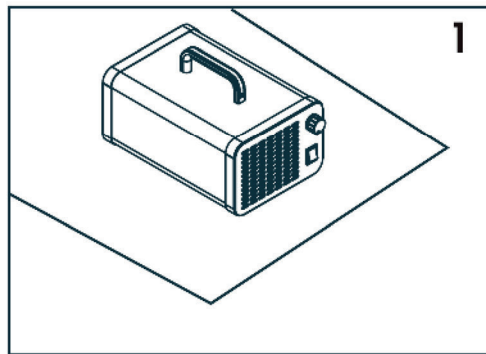
Easy to use

Compact and lightweight design that makes it easy to transport from one place to another. Includes switch, timer and function indicator.

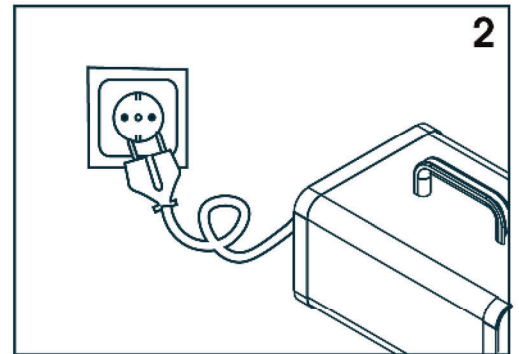




## Plug & play

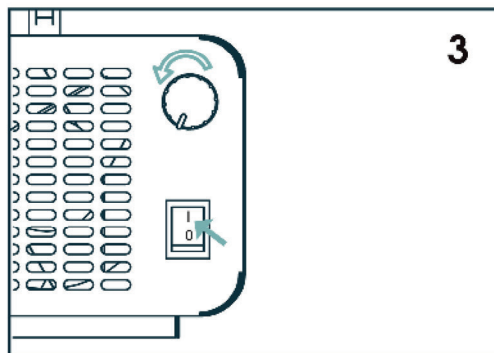


It shall be fixed in a conspicuous and readily accessible place, ensuring that there will be no human transit during disinfection.

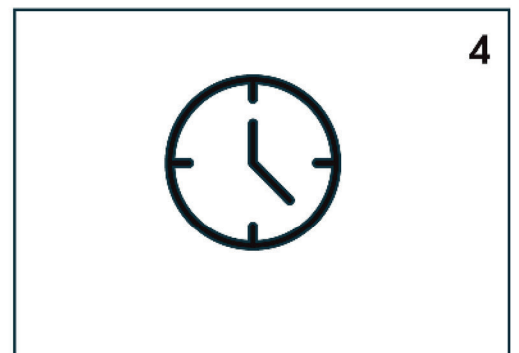


Plug into the power supply.

 Never manipulate inside machine



Turn on using the switch in position 1.  
Program the time according to the volume of the room to be disinfected.



Wait the programmed time outside the cabin and when entering, ventilate the room.

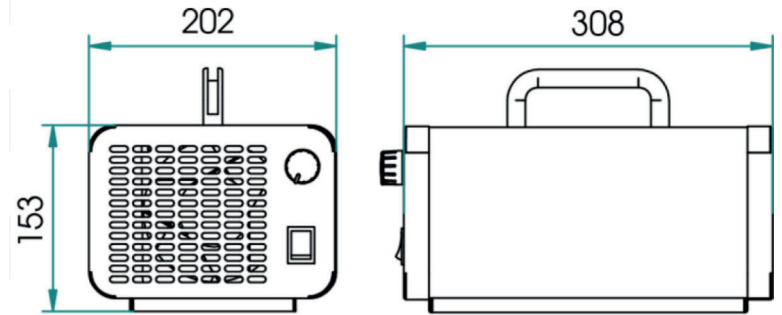
### 2 YEARS WARRANTY

IF THE GENERATOR HAS A TWO YEAR WARRANTY  
PRESENT A FAILURE DUE TO A MANUFACTURING DEFECT,  
WE REPLACE THE GENERATOR WITH A NEW



## Features

Model Ozono3	
Producción O3	24.000mg/h
Power consumed	110 w
Electric power suply	220-240V-50Hz
Timer	60 min.
Disinfection capacity	350 m3/h
Weight	2,5 Kg



## Examples of Applications

Auto	5 min.
Truck	10 - 15 min.
Room of 50m3	9 min.
Room of 120m3	20 min.
Room of 350m3	60 min.

## Terms of use

- The exposure to ozone in the surroundings from which people are present in a 0.1% ppp. The generator de ozono para el tratamiento de choque en el sitio excede este límite during the disinfection, por lo tanto, no está permitido usar este device en presencia de personas.
- A vez que se desinfecta el área y después de al menos 20 minutos, e ozono se convierte nuevamente en oxígeno sin efectos secundarios.
- It is required to be lit on an area with ozone, dee iniciar sesión with a máscara dedicada y permanecer el menor tiempo posible.
- At the end of the treatment (espere al menos 20 minutos) the house para reducir la carga de ozono.
- Keep seca el área donde if you use el equipo.
- No use en ambientes whence the humedad exceda el 80%.
- This is not allowed to manipulate the interior of the generator or insert objetos metálicos, riesgo de alta tensión.
- Keep the device toma de aire clear.
- El equipo no requiere repuestos.